

VESTGUARD UK

a great British company

Covert - Concealable Protection

Our range of concealable body armour offers the latest advancements in discreet protection such as front and back smoothing tails that help to make this vest disappear under clothing. Designed to be worn in a non-threatening manner, this is the ideal vest for those who work in environments which require a more sensitive approach.

An active ventilation layer aids body temperature regulation in hot and cold environments. Offering four or six point adjustments this covert vest provides maximum comfort when worn for an extended period of time.

The vest uses our own Soft Armour Panels (SAP) to offer high levels of protection with minimal visibility. Hard Armour Panel Insert (HAPI) pockets can be added to the vest to further increase protection levels. Suitable for VIPs, executives and those who need to keep their protection low key.

Features

- o Available in 11 sizes, including "long"
- o Increased ballistic coverage area
- o Ergonomic panel design
- o Airtex lining for comfort
- o Optional HAPI pockets



Waistcoat option



TEL INT: +44 (0)1621 816614
FAX INT: +44 (0)1621 814316
UK: 0845 601 6660
FAX: 0845 612 6660

EMAIL: INFO@VESTGUARD.CO.UK
WEB: WWW.VESTGUARD.CO.UK

VestGuard UK Ltd
Seven Acres
Barnhall Road
Tolleshunt Knights
Essex
CM9 8HD
United Kingdom

The Association of
Police and Public
Security Suppliers



Product Information and Testing

Comfort and Accessibility

11 sizes available, including "long", four/six point adjustable straps to tailor fit. Airtex lining aids body temperature regulation.

Testing

The vests are manufactured in the UK by VestGuard and are tested rigorously to ensure they comply with the American National Institute of Justice's (NIJ) exacting standards. Testing has certified this vest offers the protection required for NIJ Level Body Armour.

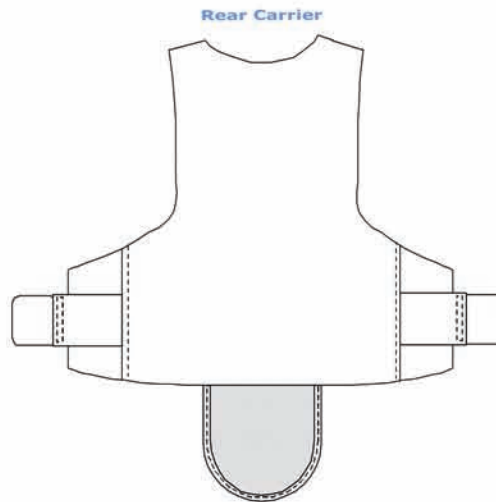
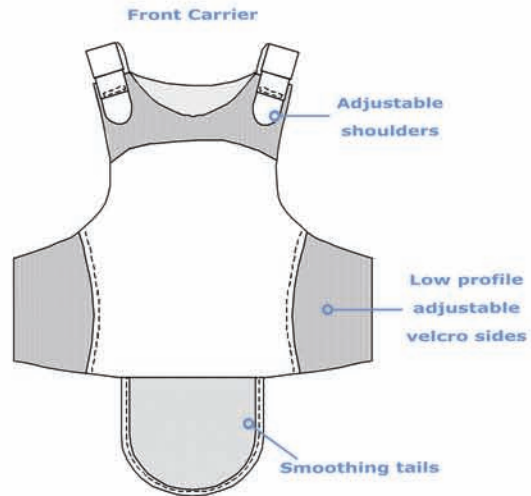
Protection Levels Available

- NIJ level II
- NIJ level IIIA
- NIJ level III
- NIJ Level IV

VestGuard also offer classified protection levels to meet customer requirements



Six point adjustable covert design available in black and white or to customer requirements



Our Guarantee

- 5 year guarantee on SAPs*
- 10 year guarantee on HAPIs and SAIs*
- 1 year guarantee on Outer Carrier
- Through life capability management*
- End of life recycling program*

THIS DOCUMENT ONLY GIVES A GENERAL DESCRIPTION OF THE PRODUCT AND EXCEPT WHERE EXPRESSLY PROVIDED OTHERWISE SHALL NOT FORM PART OF ANY CONTRACT. VESTGUARD RESERVES THE RIGHT TO ALTER PRODUCT DESIGNS AND CONDITIONS OF SUPPLY

2010 VestGuard UK © ®



TEL INT: +44 (0)1621 816614
FAX INT: +44 (0)1621 814316
UK: 0845 601 6660
FAX: 0845 612 6660

EMAIL: INFO@VESTGUARD.CO.UK
WEB: WWW.VESTGUARD.CO.UK

VestGuard UK Ltd
Seven Acres
Barnhall Road
Tolleshunt Knights
Essex
CM9 8HD
United Kingdom